

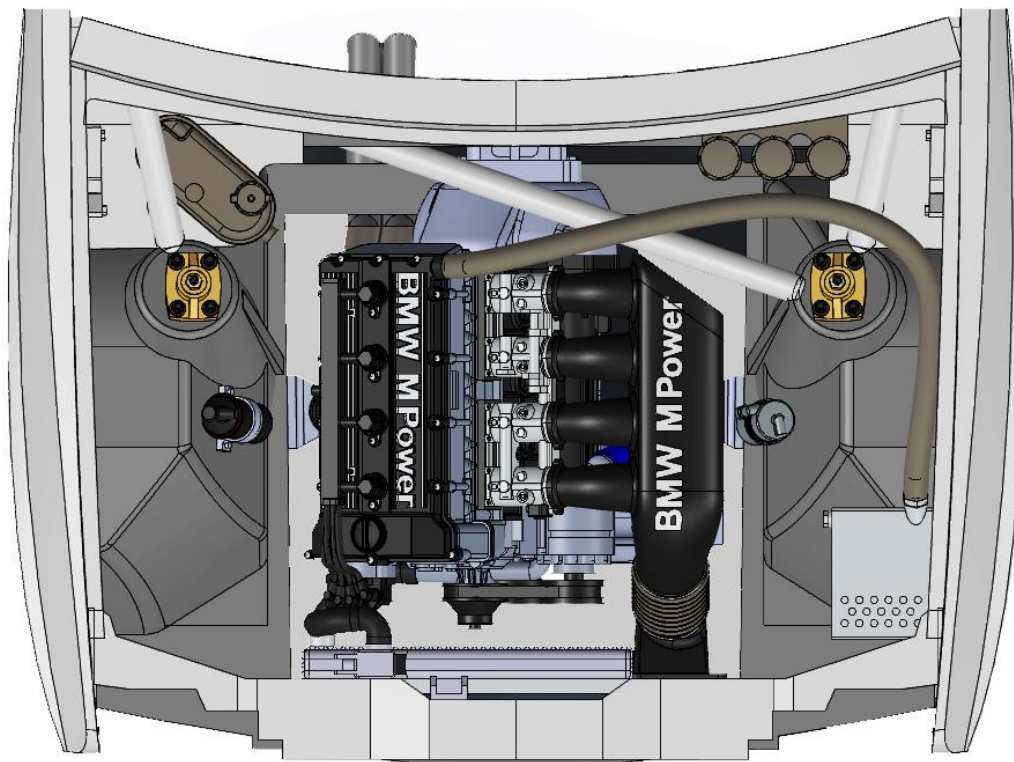
**1/24 Super detail engine bay kit  
for Beemax/NuNu BMW M3 e30**

**24T040**

**USCP**



ukrainian scale cars production



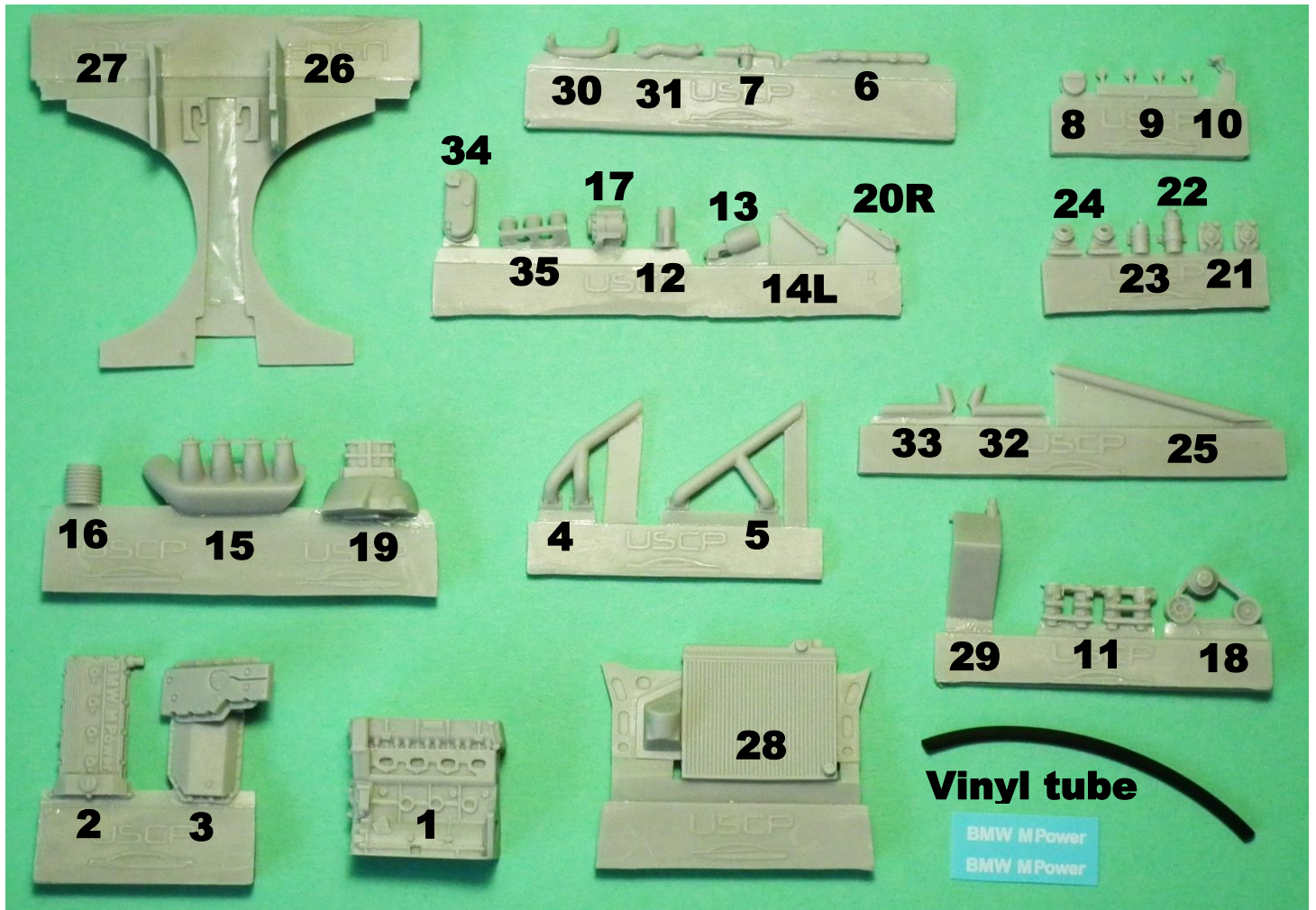
***BMW M3 E30 Racing  
Engine Bay set***

**ASSEMBLY INSTRUCTION**

**2021**

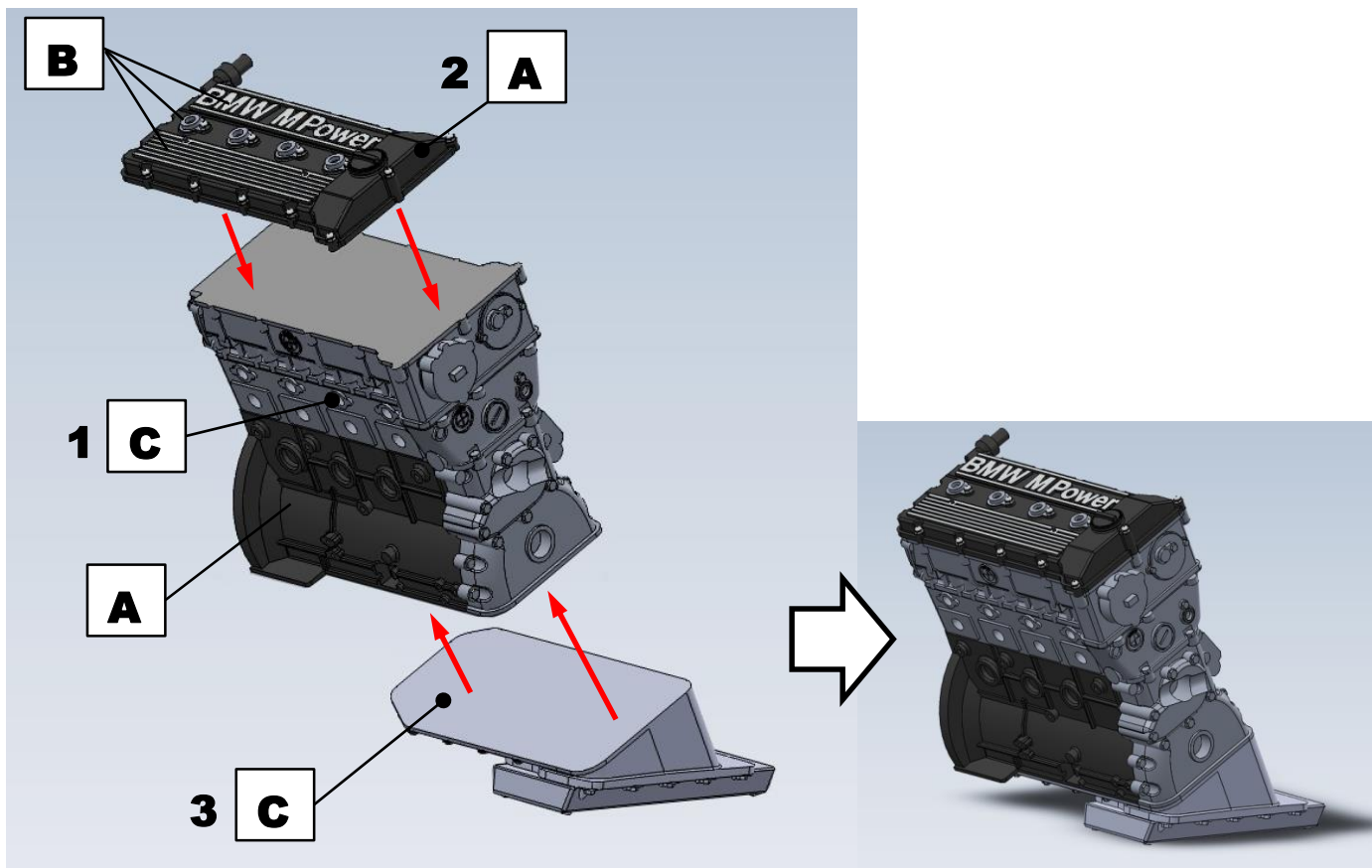
**Made in Ukraine**

# Parts:

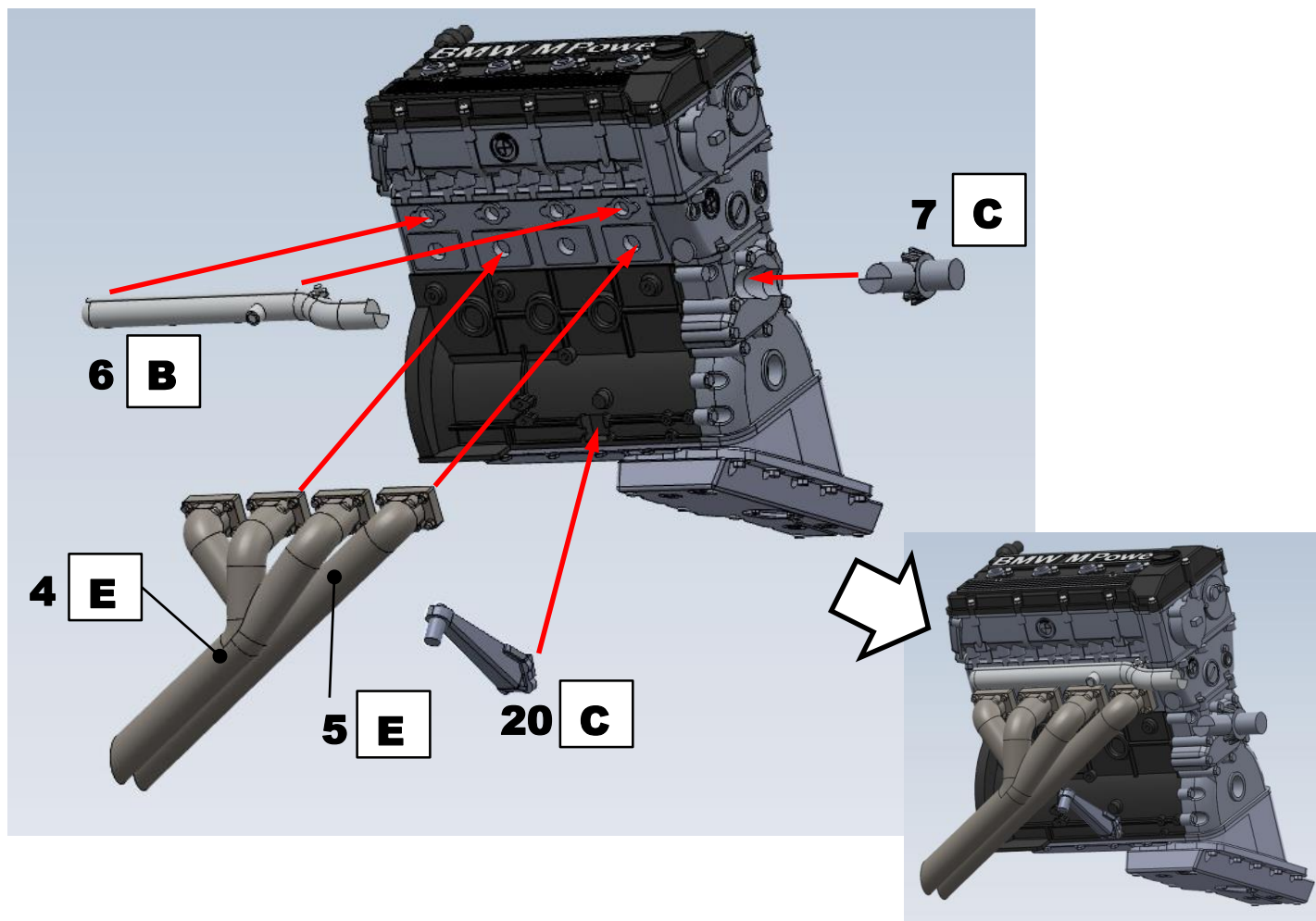


<b>Colors:</b>	<b>F – gold</b>
<b>A – semi gloss black</b>	<b>G – body color</b>
<b>B – aluminum</b>	<b>H – blue</b>
<b>C – steel</b>	<b>I – dark grey</b>
<b>D – flat black</b>	
<b>E – exhaust color</b>	

## 1. Engine block, valve cover, oil pan

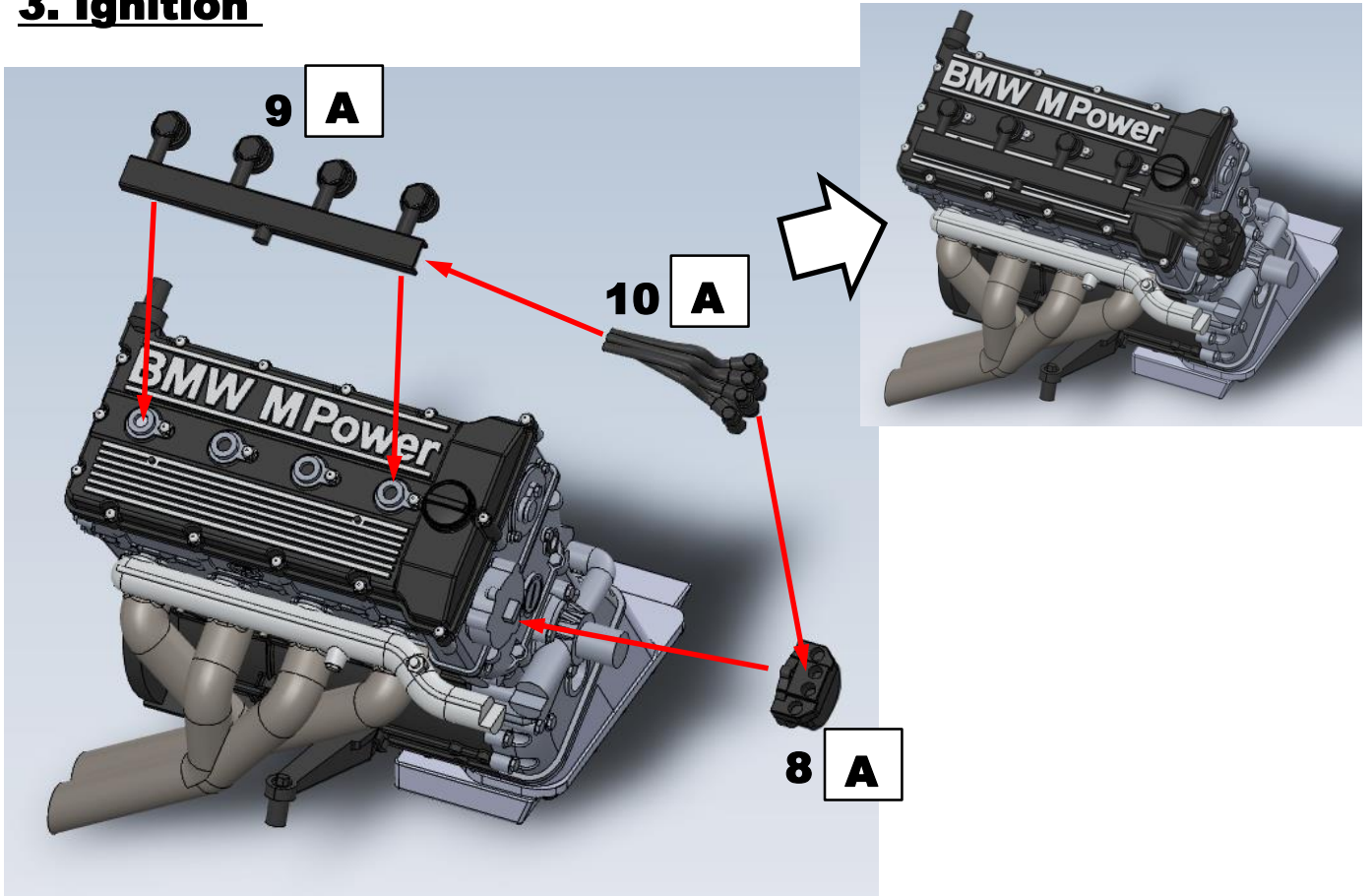


## 2. Exhaust, water pump

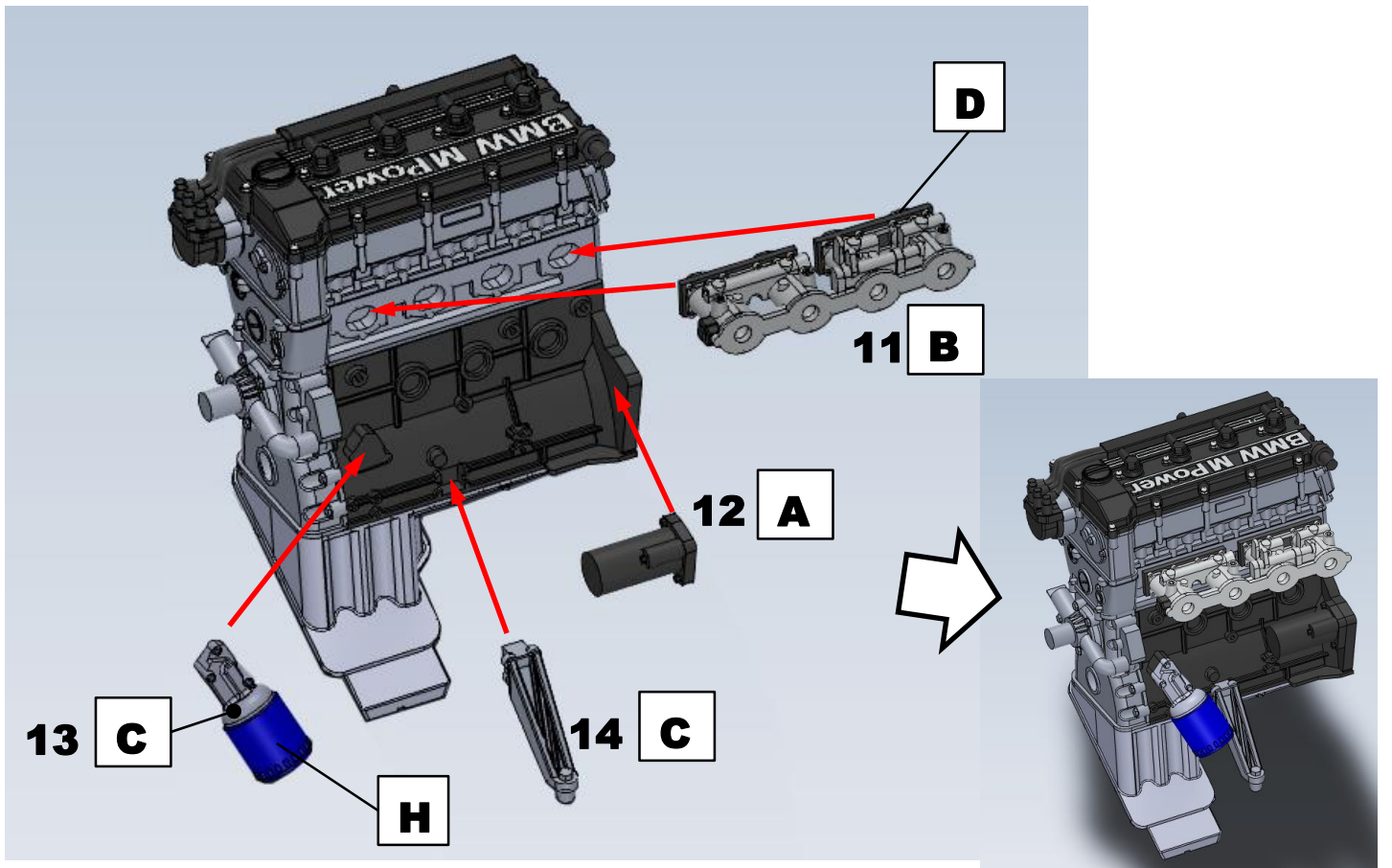




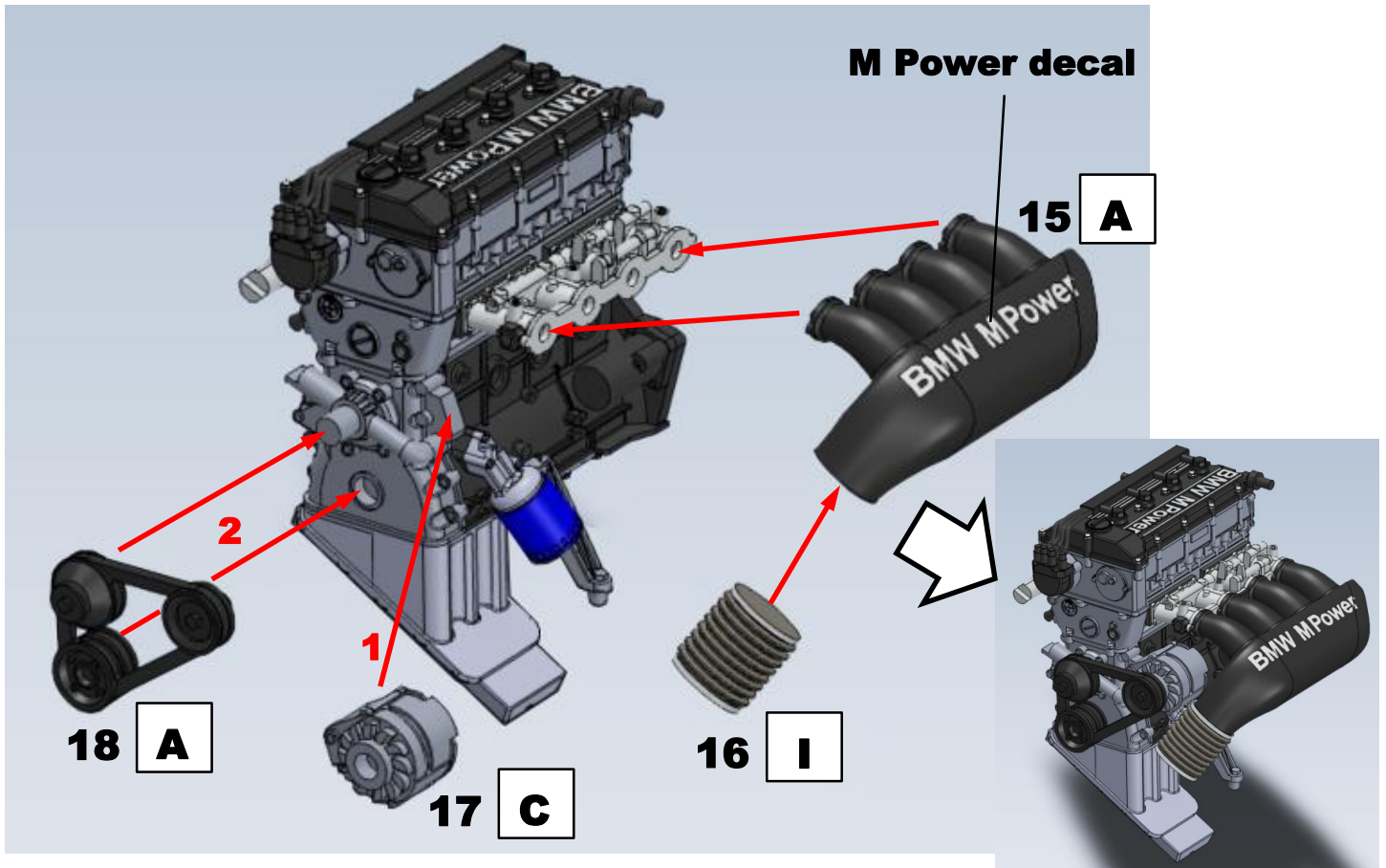
### 3. Ignition



### 4. Intake, starter, oil filter



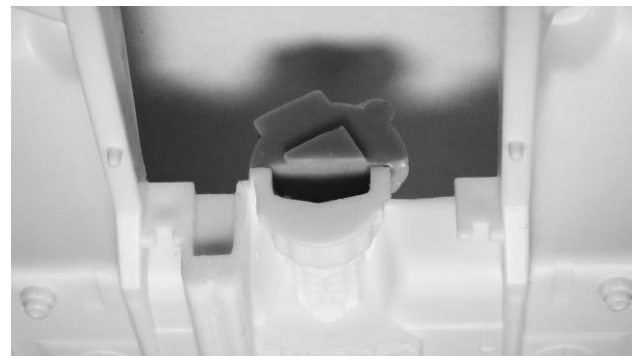
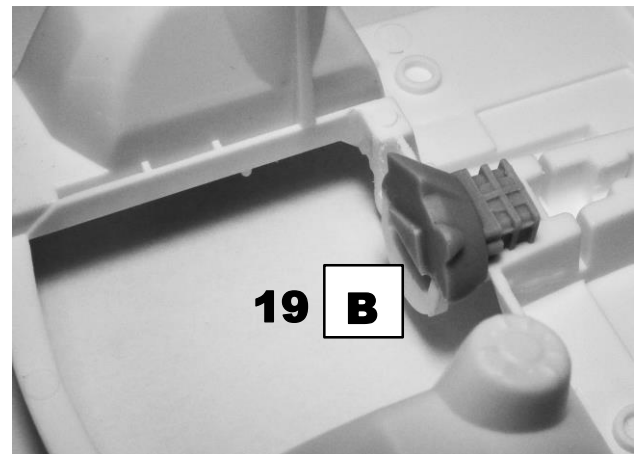
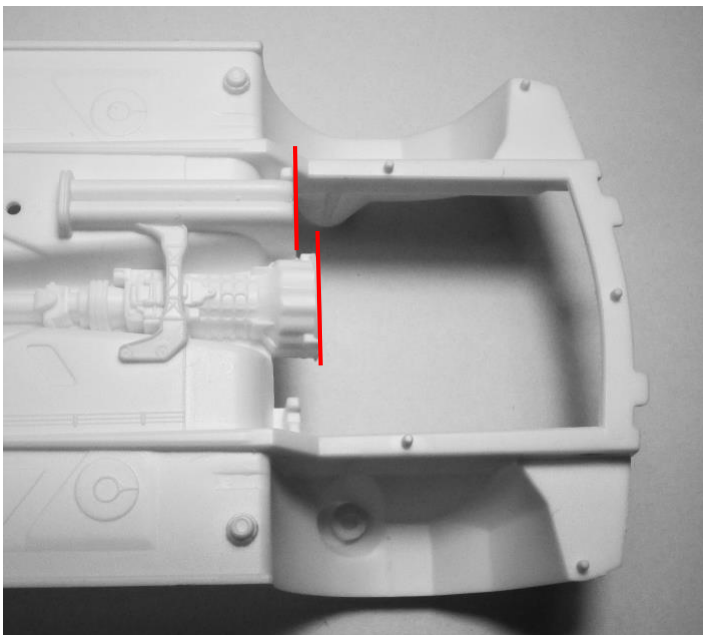
## 5. Intake, generator



## 6. Chassis preparing

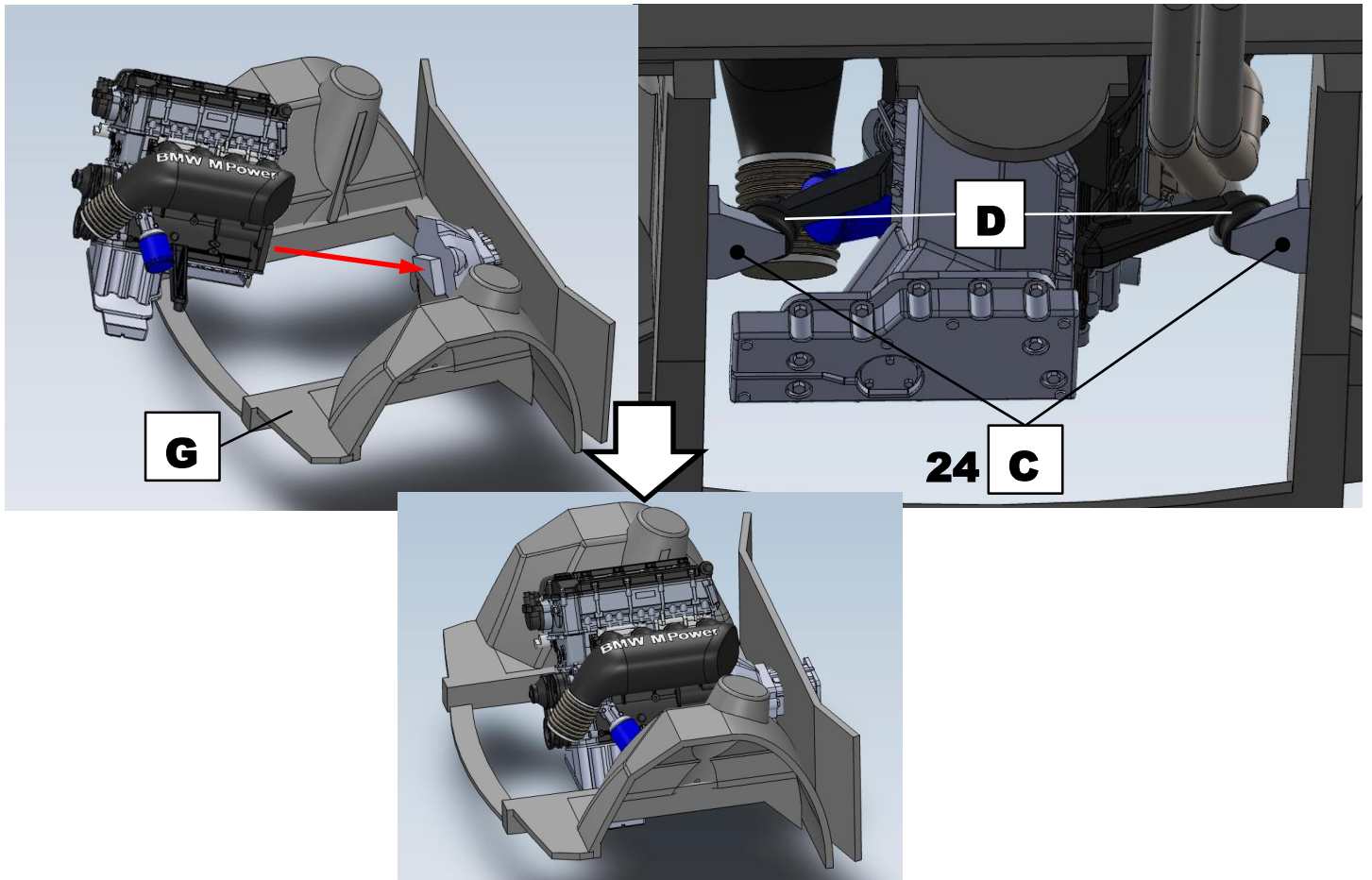
**To install our engine you need to cut stock oil pan and exhaust.**

**Then install gearbox part #19**

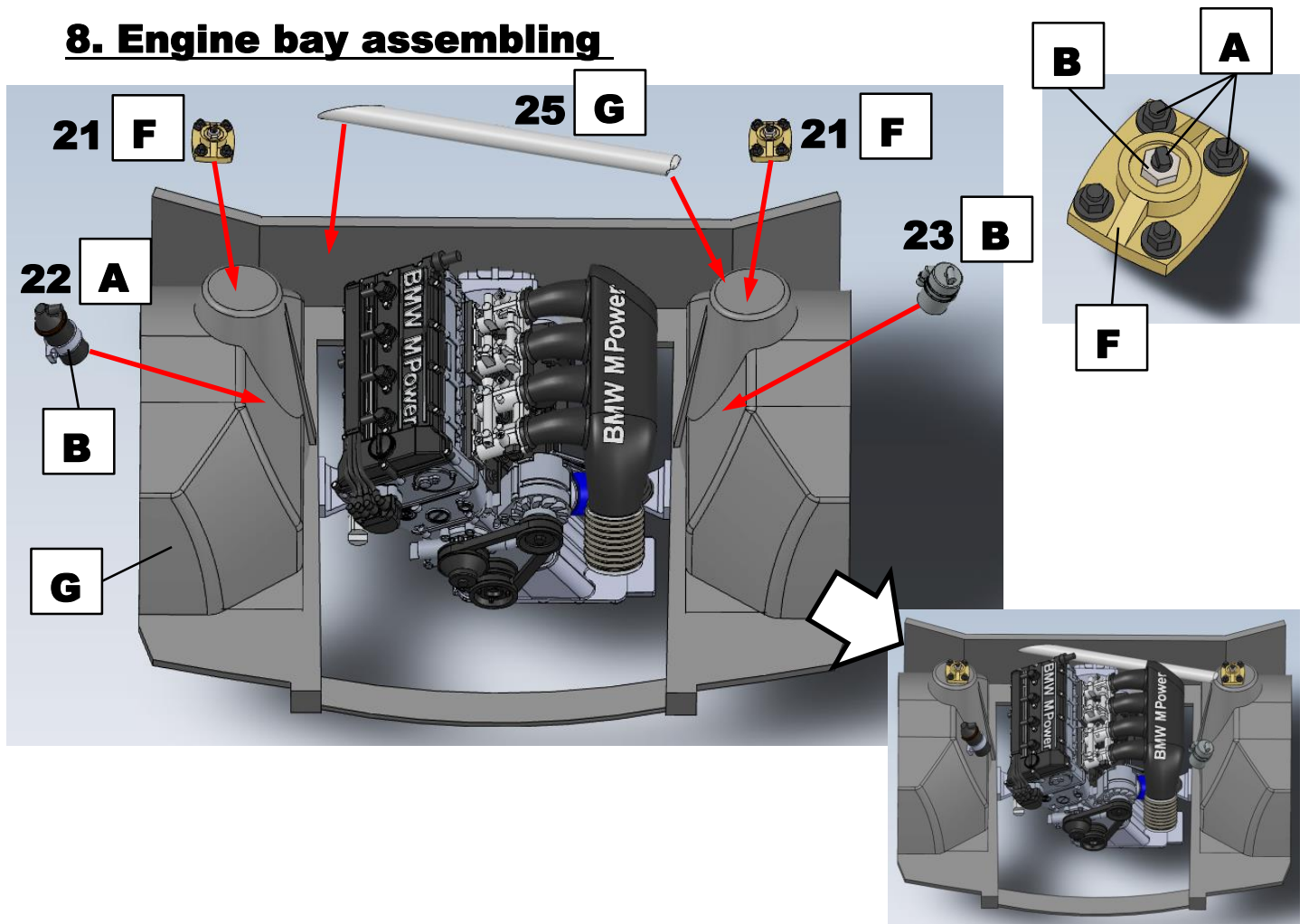




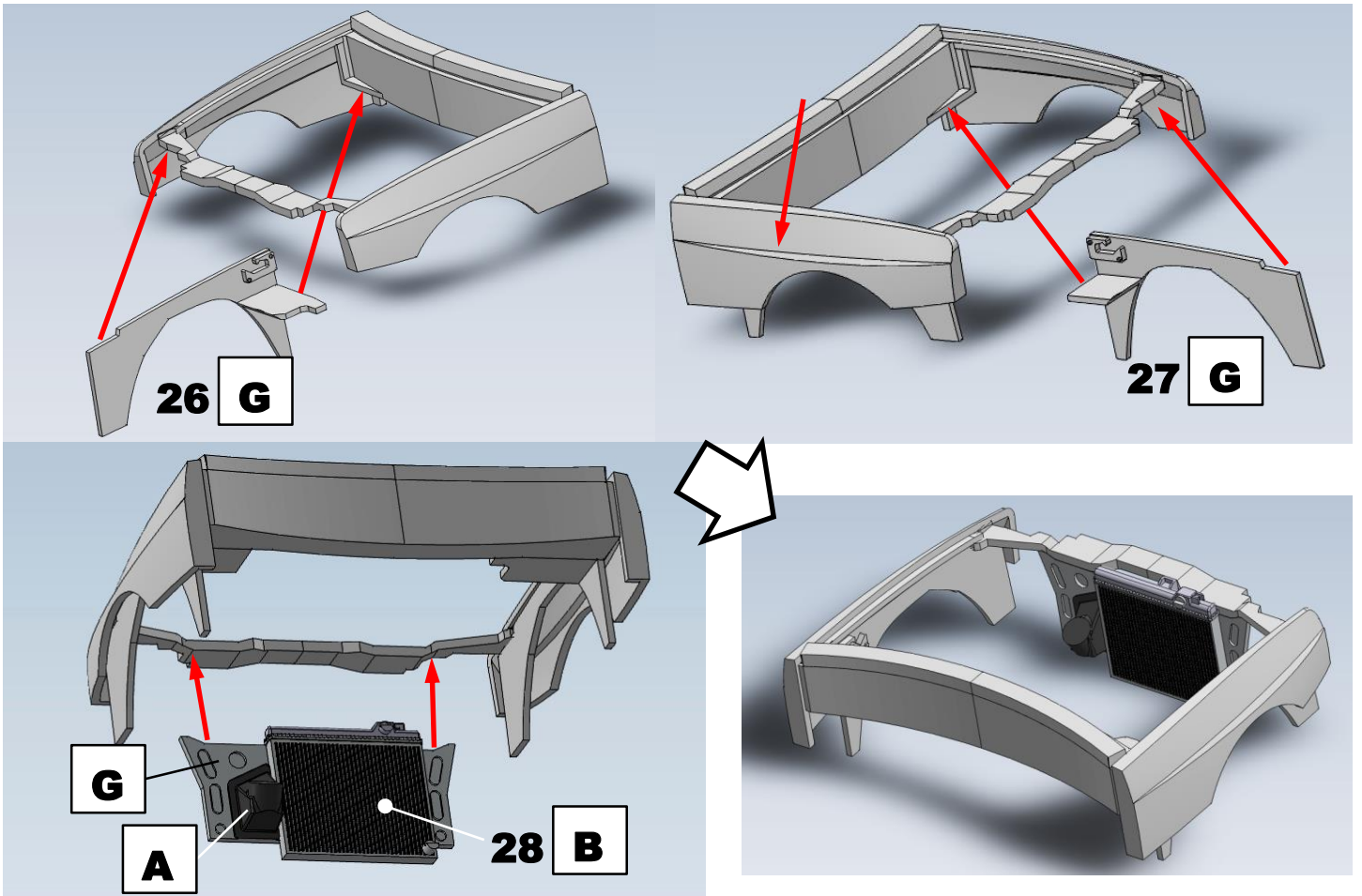
## 7. Engine installation



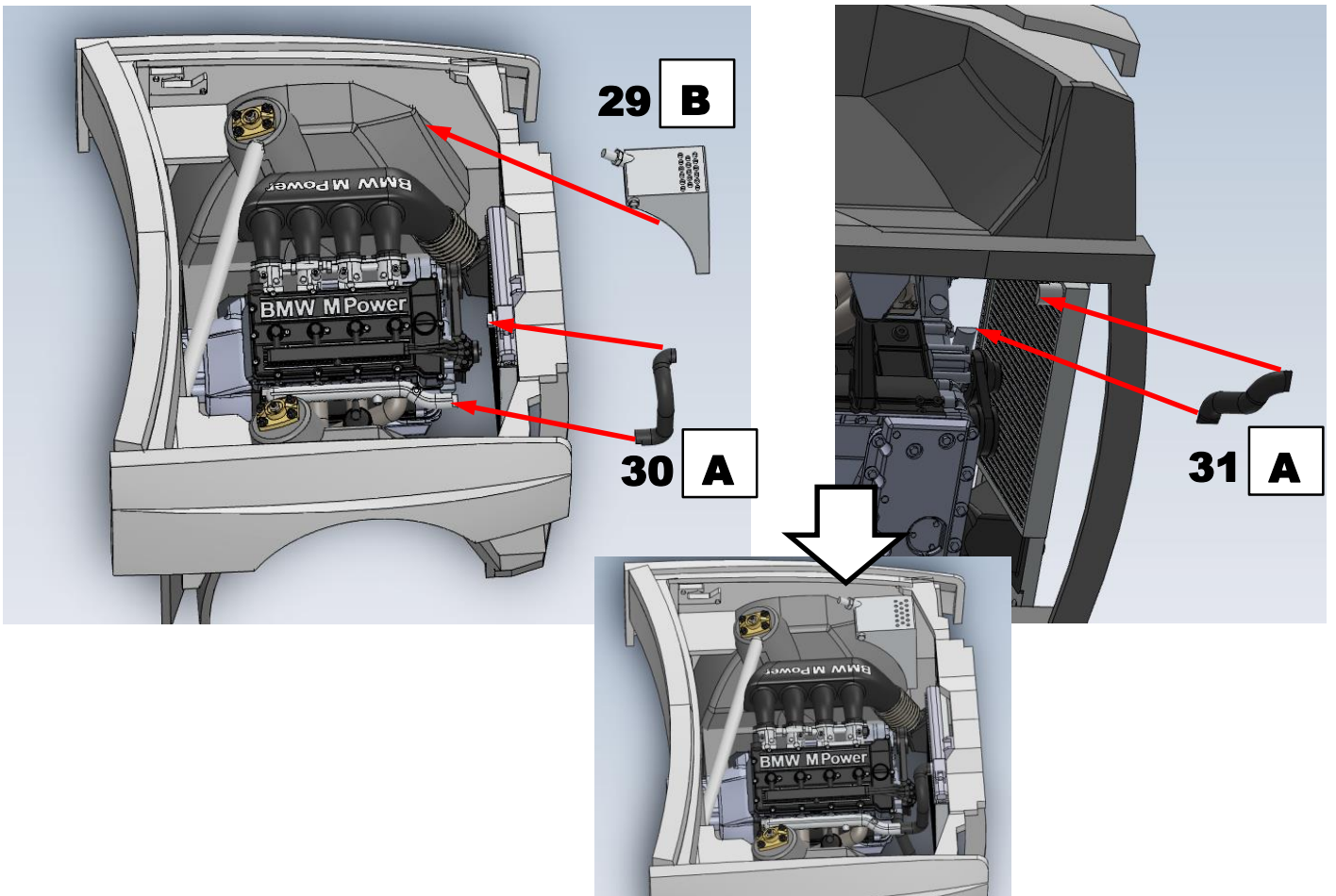
## 8. Engine bay assembling



## 9. Body preparing, radiator



## 10. Coolant pipes



# 11. Engine bay final assembling

Vinyl tube 50mm

